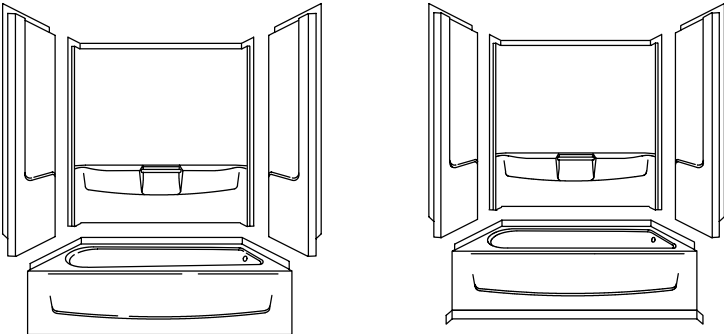


Installation Guide

Bath and Wall Surrounds

SERIES 7104



STERLING

A KOHLER COMPANY

Thank You For Choosing Sterling

We appreciate your commitment to Sterling value. Please take a few minutes to review this manual before you start installation. If you encounter any installation or performance problems, please don't hesitate to contact us. Our phone numbers and web site are listed on the back cover. Thanks again for choosing Sterling.

Product Information

- ❑ Your bath and wall surrounds are shipped in two cartons. One contains the bath and the other contains the back wall and end walls. If you ordered a bath only, it is shipped in one carton. Upon receipt, check for shortages or damage. Do not install a damaged unit. Report any damage or shortages immediately to the store where the unit was purchased.

⚠ CAUTION: Risk of product damage. Do not use the apron brace to lift the bath from the carton.

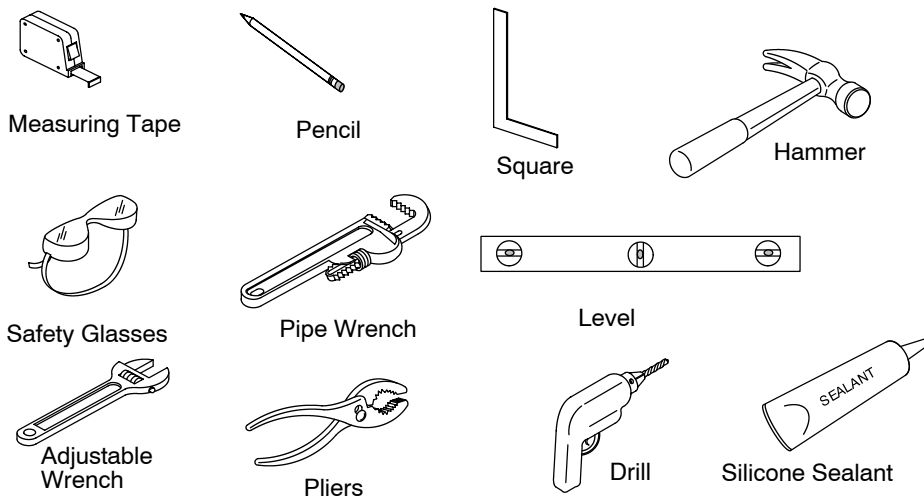
IMPORTANT! The Performa Bath/Shower unit is not a caulk-free product. To avoid water damage, sealant will need to be applied to the seam where the walls meet the bath, where the walls interlock and along the bottom edge of the apron.

- ❑ This product does not include a shower door, drain and overflow assembly or plumbing hardware.
- ❑ The shower door opening is 56-1/2" (143.5cm) wide x 60" (152.4cm) high when the bath is installed with the wall surrounds.
- ❑ This product uses a 16" (40.6cm) adjustable drain and overflow fitting. You may use a drain which installs through the floor or you may install a drain above the floor. Roughing-in and framing illustrations in this guide show both installations. The overflow hole diameter is 2-1/2" (6.4cm) and the drain diameter is 2" (5cm).

Before You Begin

- ❑ Read all instructions before you begin.
- ❑ Observe all local plumbing codes.
- ❑ Do not remove the old fixture before you unpack and inspect the new unit.
- ❑ If remodeling, measure the existing framework before removing the old fixture to ensure the new unit will fit.
- ❑ To prevent damage, keep the bath/shower components in a safe place until you begin installation.
- ❑ Do not install the bath over open floor joists.
- ❑ Do not use any acid-based products on Vikrell™ fixtures.

Recommended Tools and Materials



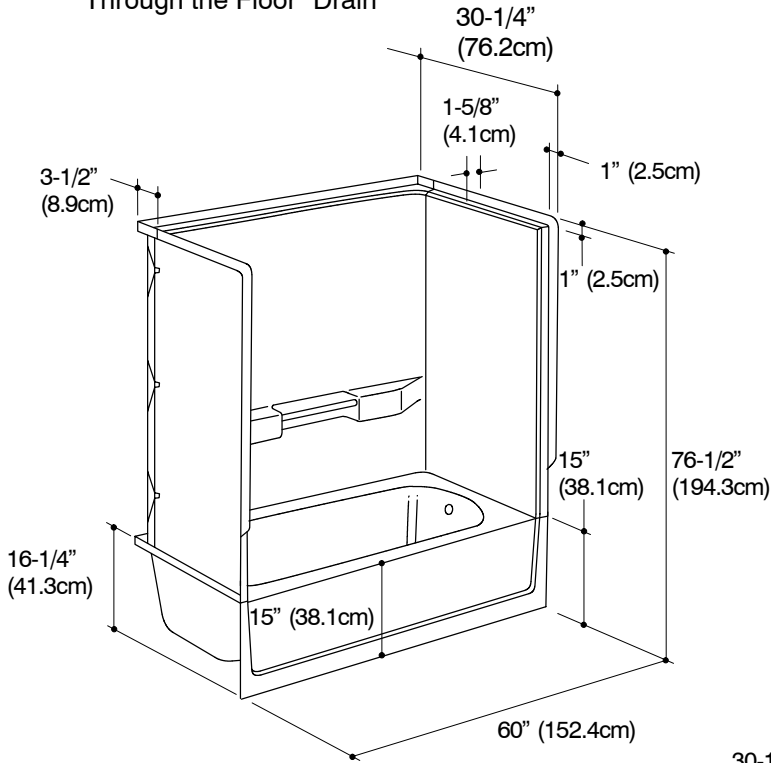
Plus:

Conventional woodworking tools and materials
Drop cloth
Construction adhesive (optional)
Cement or mortar (optional)
2x4's or 2x6's
Hole saw or saber saw with fine tooth blade (32 teeth per inch)
Tubing cutter
Large head roofing nails

NOTE: Clear silicone sealant is a superior product and is recommended to ensure against leaks. Use of acrylic or other caulks is not recommended.

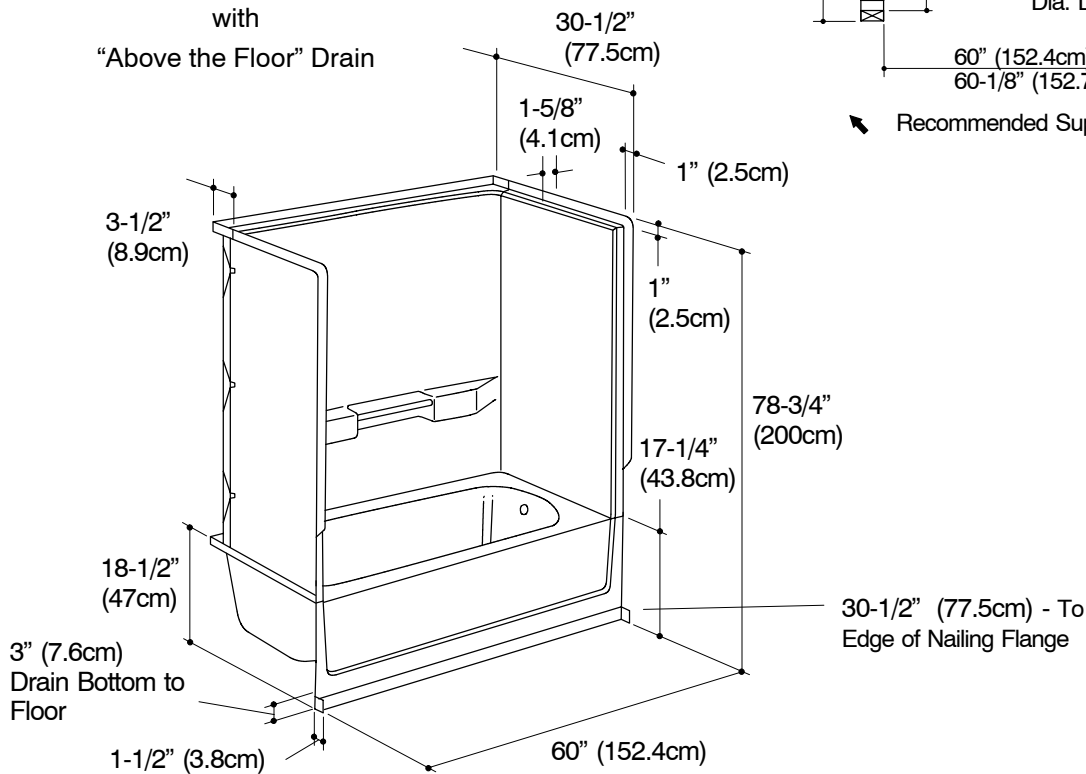
SERIES 7104

with
"Through the Floor" Drain

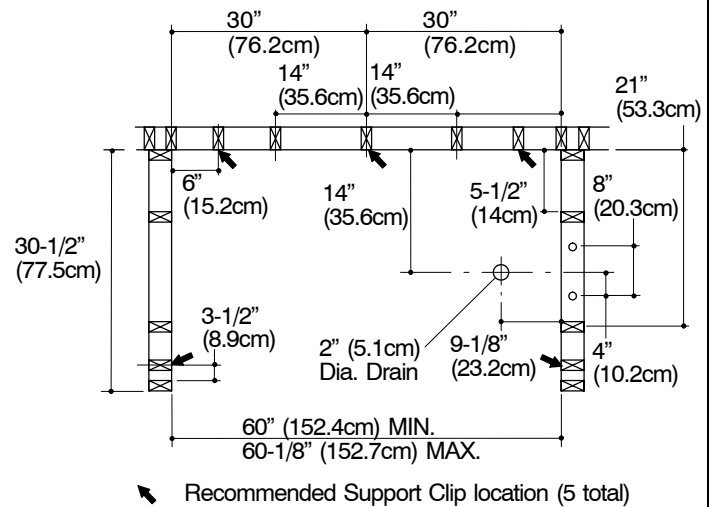


SERIES 7104

with
"Above the Floor" Drain

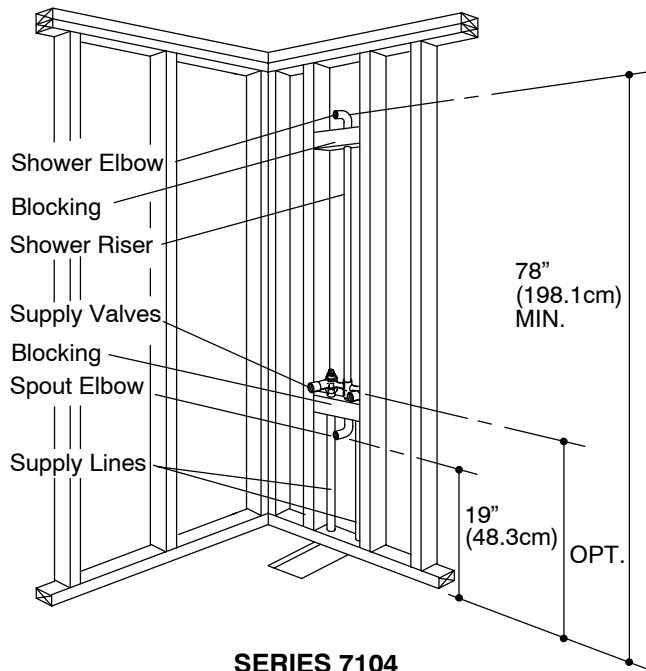


Framing Dimensions

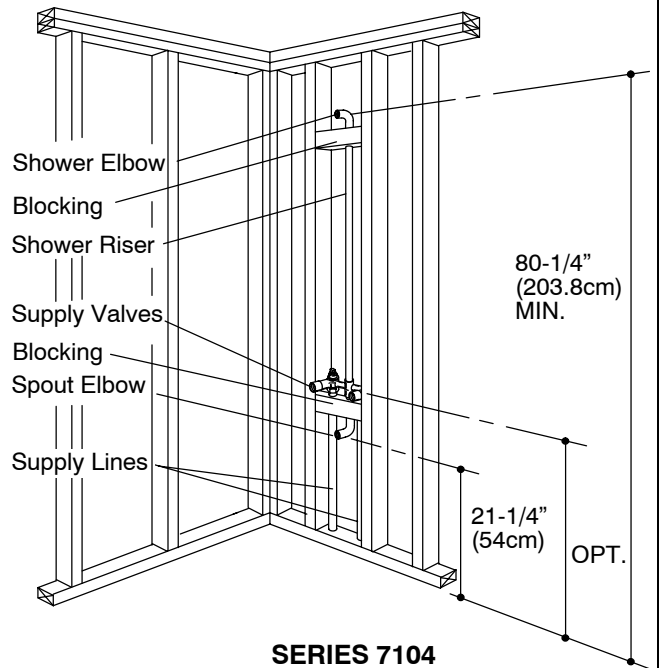


Recommended Support Clip location (5 total)

Roughing-In



SERIES 7104
with
"Through the Floor" Drain



SERIES 7104
with
"Above the Floor" Drain

1. Prepare the Site

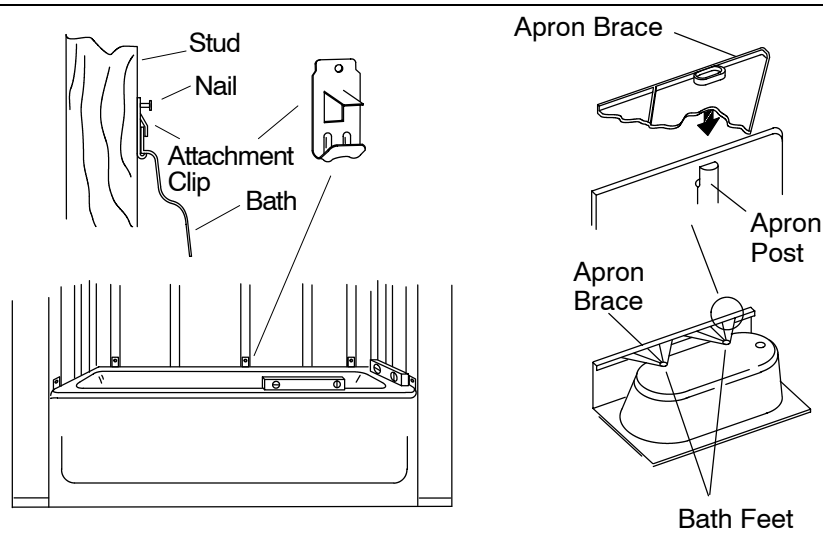
- The module can be installed directly to the framing studs or installed over water-resistant wall material.
- Make sure the framing is plumb and square.
- To install the new unit directly to the framing studs, cut away the old wall material. Make the cut about 12" (30.5cm) above the upper edge of the new shower wall to permit the use of wider pieces of wall material for ease of finishing. If space permits, remove the old wall material 12" (30.5cm) from the vertical edge of the shower end wall.

NOTE: The dimensions given in the Roughing-In page are to the edge of the nailing flanges.

- When installing over water-resistant wall material, the framing dimensions must be increased to accommodate the material thickness.
- If the back wall of the framing pocket is a fire-rated wall, do not cut portions away or leave holes in the material.
- Ensure that support is provided for the vertical wall flanges at 28-1/2" (72.4cm). When installed over water-resistant wall material or plaster, the wall flanges will need to be covered with a finish molding which is not provided with the product.
- If the unit is installed against a masonry wall, use furring strips to secure the unit.
- Make sure the subfloor is flat and level. Repair if necessary.

2. Install the Rough Plumbing

- Locate the drain according to the roughing-in dimensions. Measure and cut the drain hole opening in the floor and install the rough drain lines.
- The fittings for the supply spout, valves and showerhead should be in place before the module is installed. Refer to the fitting manufacturer's instructions for recommended placement locations.



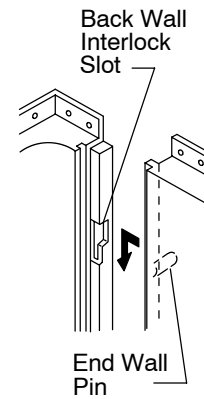
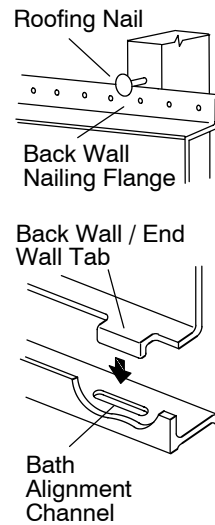
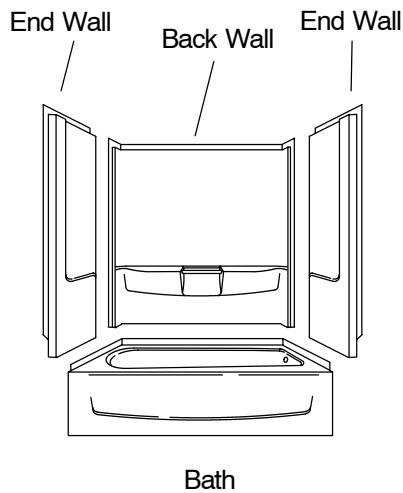
Bath must be level

3. Install the Bath

CAUTION: Risk of product damage. Do not use the apron brace to lift the bath from the carton.
IMPORTANT! Squeaking may develop if the bath is installed over a subfloor other than plywood. To prevent squeaking, place a pad, such as roofing felt, between the bath and subfloor.

IMPORTANT! Ensure that the apron brace is locked in position over the bath feet and apron posts before removing the bath from the carton. Do not install the bath without the brace.

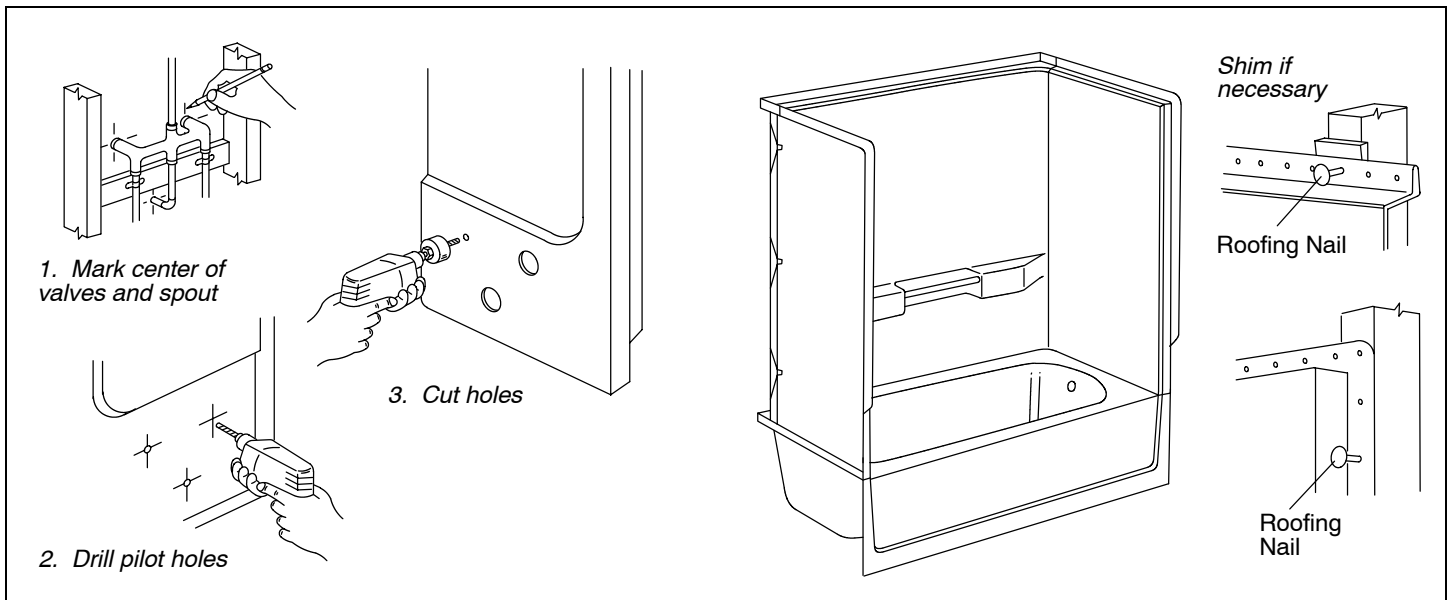
- Leave the protective liner in the bath to prevent scratching during the installation.
- Install the drain and overflow to the bath according to the drain manufacturer's instructions. Do not connect the trap at this time.
- Move the bath into the recess. The bath must be level and all bath feet must contact the floor. Metal shims may be placed under the bath feet, if necessary.
- Attach the five support clips to the tub (refer to the diagram on this page and the roughing-in illustrations for proper clip locations). Use a pliers to bend the tabs over the bath rim.
- Secure the attachment clips to the center of the studs with large head roofing nails.



4. Pre-Fit Walls to Bath

NOTE: If you ordered a bath only, refer to Install Wall Finish (For Bath Only Installations) on page 8 to assist you in applying tile or other wall finish. After the wall finish is complete, continue at Step 8 Install Plumbing Fixtures.

- Place the back wall on the bath making sure that the back wall tabs are engaged in the bath alignment channels.
- To prevent the back wall from accidentally falling, temporarily install a roofing nail over the top of the nail flange into the center of a stud.
- Attach the end walls to the back wall. Make sure that the wall interlock pins are engaged and the end wall tabs are engaged in the bath alignment channels. Do not nail the walls at this time.

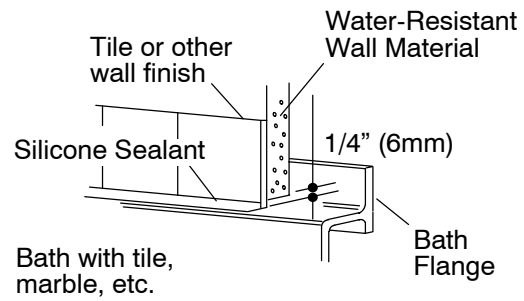
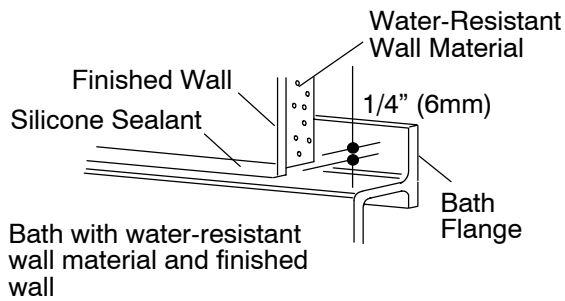


5. Cut Holes for Valves and Spout

- Mark the center of the supply valves and spout on the back side of the end wall.
- Refer to the valve and spout manufacturer's instructions for proper hole sizes. Make sure the valve cover plate is large enough to cover the holes.
- Remove the end wall. Place masking tape on the front of the wall to protect the finish before drilling and cutting the holes.
- Drill pilot holes from the back side of the end wall.
- Cut holes from the front side of the end wall using a hole saw or a saber saw. Use a fine tooth saw blade (32 teeth per inch).

6. Check Wall Fit and Secure Walls

- Reinstall the end wall.
- Remove the temporary nail at the top of the back wall flange.
- Check to be sure all walls are seated firmly on the bath.
- Ensure the front edges of the end walls are flush with the front edge of the bath.
- The seam between the walls and the bath should be closed. If a gap exists between the wall flanges and framing, shim the walls before nailing.
- Use large head roofing nails to nail the end walls first. Nail through the dimples provided, starting at the bottom and moving up the sides. Nail the flanges across the top of the wall panels at every stud location.



7. Install Wall Finish (For Bath Only Installations)

- Cover the framing with water-resistant wall material. Apply the wall material over the bath flange leaving a 1/4" (6mm) gap between the bath rim edge and the wall material. This gap helps to reduce the possibility of water seeping into the wall material.
- Seal the joints between the bath rim edge and the water-resistant wall material with silicone sealant.
- Apply tape and mud to the water-resistant wall material. Install the finished wall over the water-resistant wall material. Seal the joints between the bath rim edge and the finished wall material with silicone sealant.

8. Install Plumbing Fixtures

- Connect the drain to the trap.
- Install the handle trim, spout and showerhead.
- Open hot and cold valves and check all supply connections for leaks. Check the drain connections for leaks. Turn valves off.

9. Finish Installation

- Install the water-resistant wall material over the nailing flanges.
- Apply silicone sealant to the seam where the walls meet the bath, where the walls interlock and along the bottom edge of the apron.
- Apply silicone sealant to all openings around valves and outlets before installing the cover plates.

Phone: 1-888-STERLING (1-888-783-7546)
 Mexico: 001-877-680-1310
 SterlingPlumbing.com



©2003 Sterling

1021861-2-B